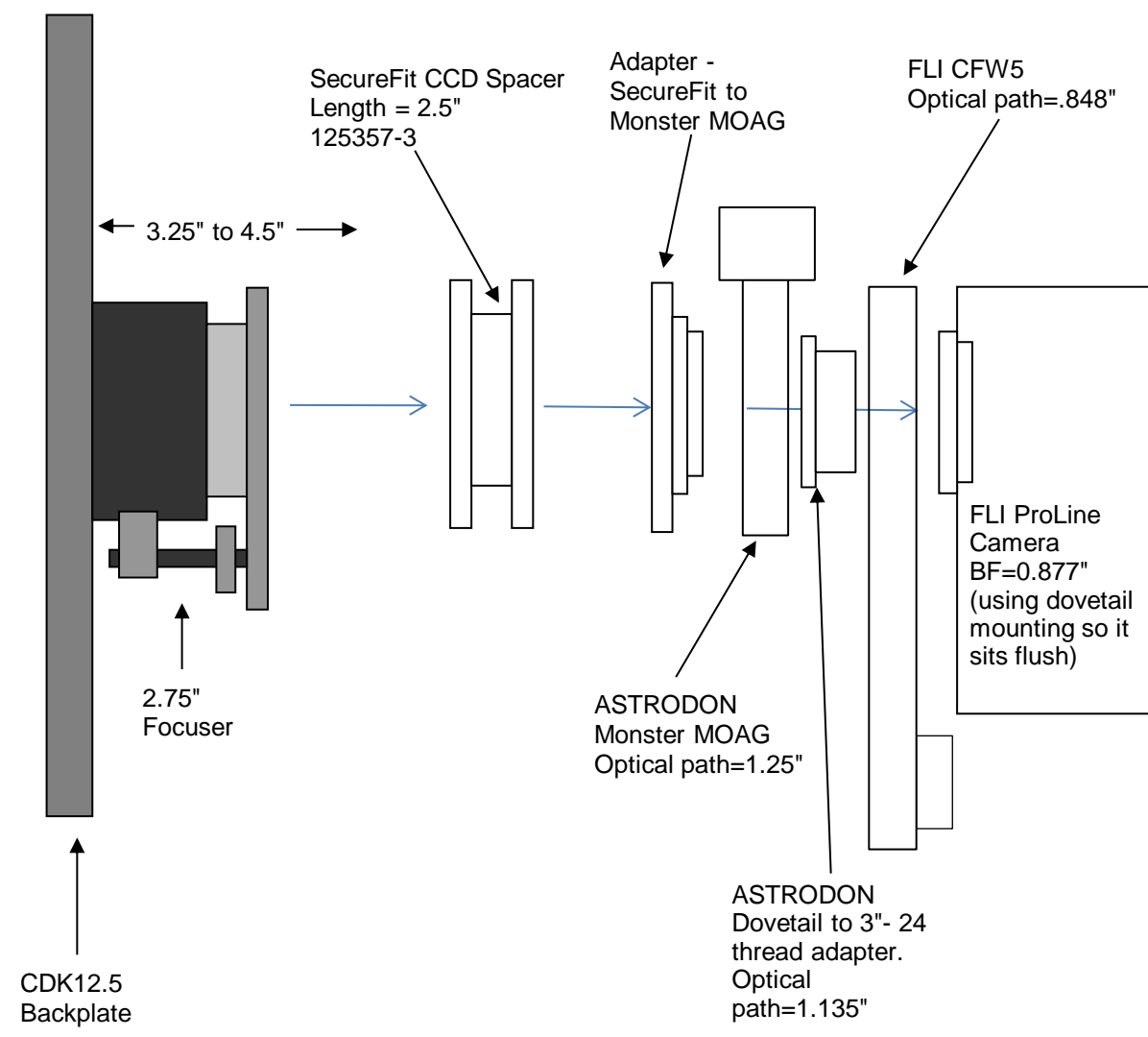
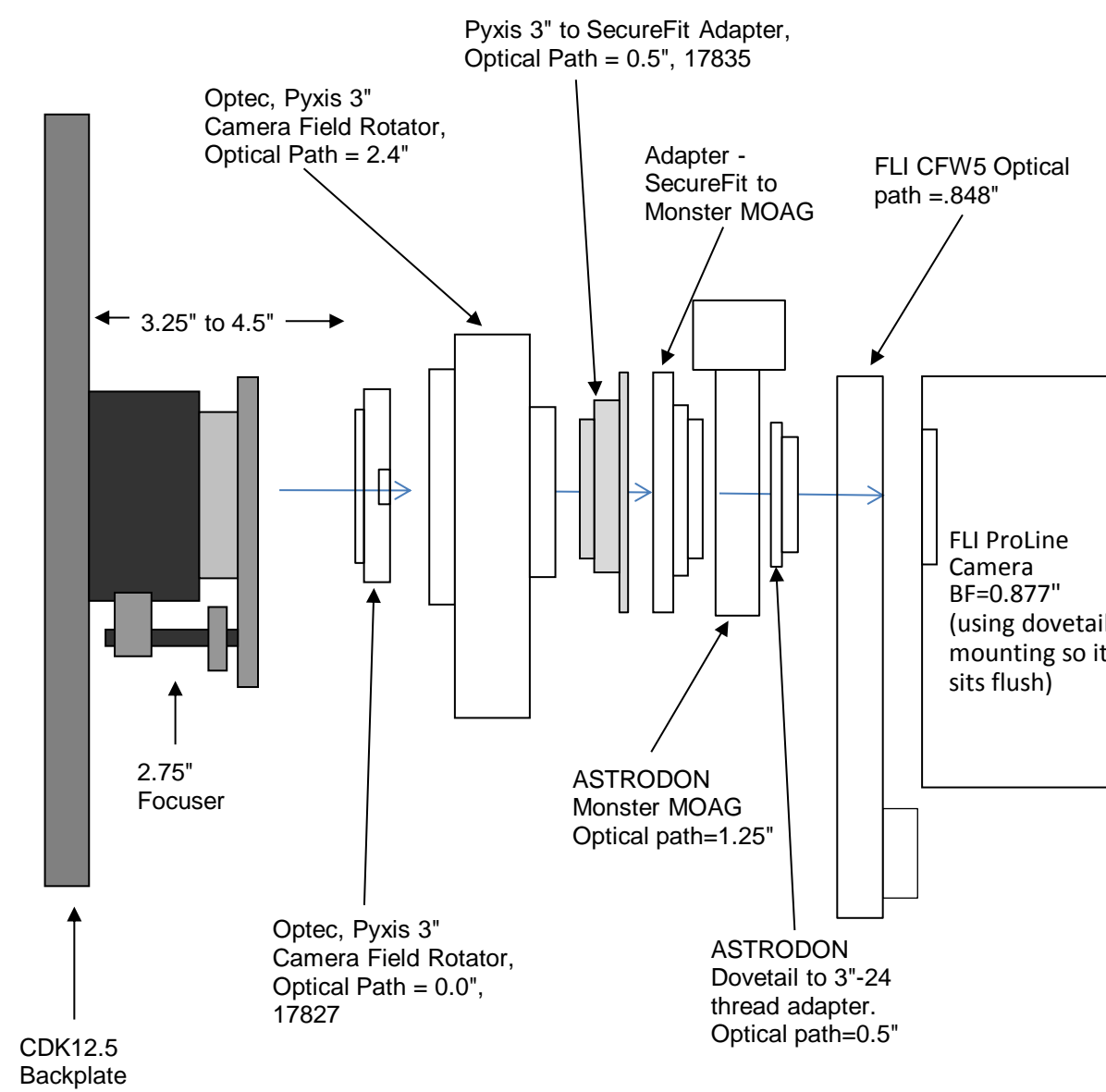
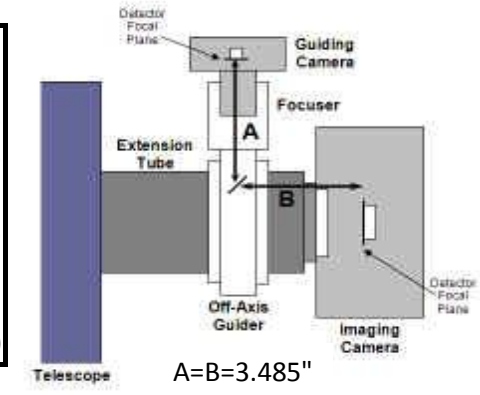


CDK12.5 - OPTICAL TRAIN: for FINGERLAKES PROLINE CAMERA AND FILTERWHEEL

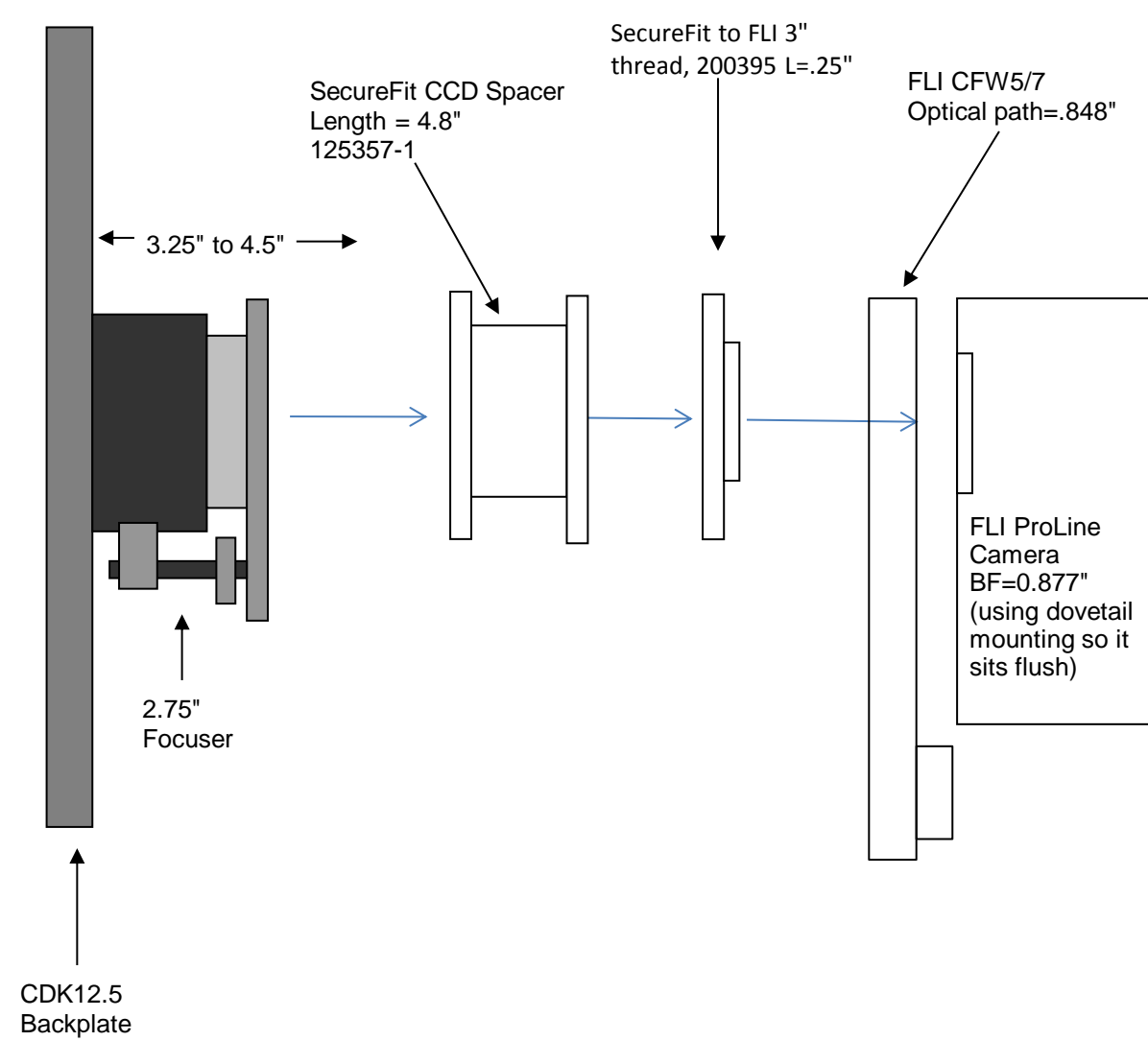
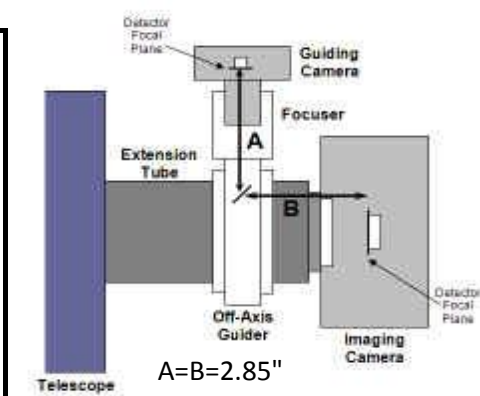
Distance to Focuser Mounting Surface 10.445



FLI Proline, CFW5, and MonsterMOAG		10.445 remaining BF
2.75" Focuser (racked in)	3.25	7.195
Focus position (0 to 1.3")	0.035	7.16
SecureFit CCD Spacer - 125357-3	2.5	4.66
Adapter SecureFit to Monster MOAG - 200394	0.55	4.11
Monster MOAG - MMOAG	1.25	2.86
AstroDon Adapter 3" -24 (MMOAG -3-LL)	1.135	1.725
FLI CFW5 Filter Wheel	0.848	0.877
FLI Proline Camera Body	0.877	0

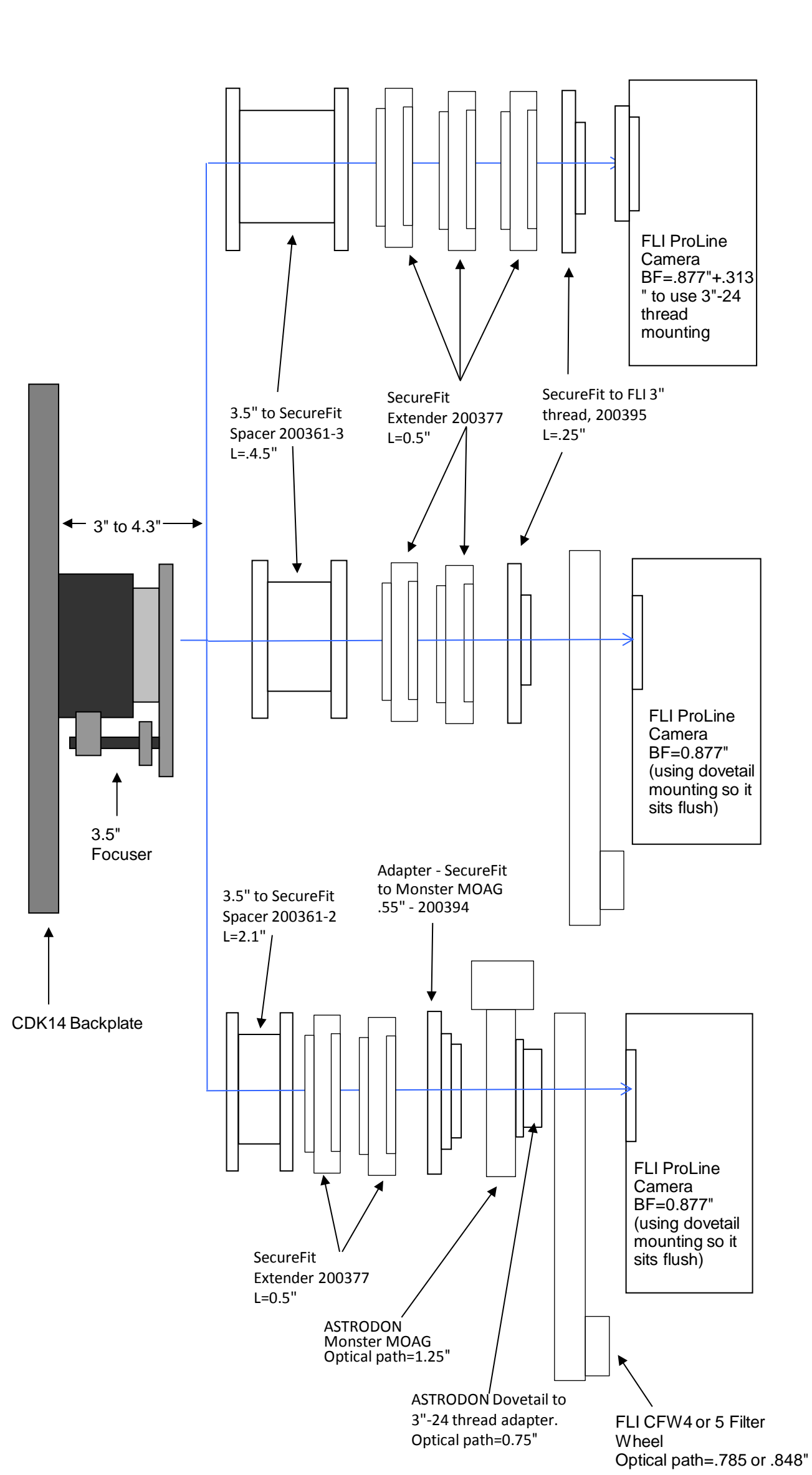


FLI Proline, CFW5, Monster MOAG, Pyxis		10.445 remaining BF
2.75" Focuser (racked in)	3.25	7.195
Focus position (0 to 1.3")	0.27	6.925
PW 12.5 to Optec-3600 dovetail adapter - 17827	0	6.925
Optec Pyxis 3" Camera Rotator	2.4	4.525
Optec Pyxis 3" to SecureFit Adapter - 17835	0.5	4.025
Adapter SecureFit to Monster MOAG - 200394	0.55	3.475
Monster MOAG - MMOAG	1.25	2.225
AstroDon Adapter to 3"-24 thread, .5" long	0.5	1.725
FLI CFW5 Filter Wheel	0.848	0.877
FLI Proline Camera Body	0.877	0



FLI Proline with CFW5/7		10.445 remaining BF
2.75" Focuser (racked in)	3.25	7.195
Focus position (0 to 1.3")	0.42	6.775
SecureFit CCD Spacer - 125357-3	4.8	1.975
SecureFit FLI 3" CCD Adapter - 200395	0.25	1.725
FLI CFW5 Filter Wheel	0.848	0.877
FLI Proline Camera Body	0.877	0

CDK14 - OPTICAL TRAIN: FINGERLAKES CAMERA'S AND FILTER WHEELS



FLI Proline Camera Body	11.09 remaining BF	
3.5" Focuser - 200340 (racked in)	3	8.09
Focus position (0 to 1.3")	0.65	7.44
3.5" to SecureFit, 4.5" - 200361-3	4.5	2.94
SecureFit 1/2" Extender - 200377	0.5	2.44
SecureFit 1/2" Extender - 200377	0.5	1.94
SecureFit 1/2" Extender - 200377	0.5	1.44
SecureFit to FLI 3" Threads - 200395	0.25	1.19
FLI Proline Camera	1.19	0

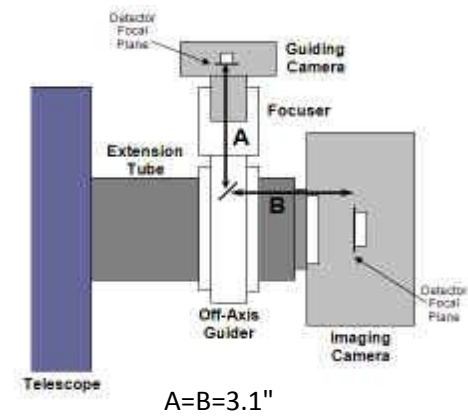
Using the Rotating Focuser 600180		
FLI Proline Camera Body	11.09 remaining BF	
3.5" Focuser - 600180 (racked in)	3.5	7.59
Focus position (0 to 1.3")	0.65	6.94
3.5" to SecureFit, 4.5" - 200361-3	4.5	2.44
SecureFit 1/2" Extender - 200377	0.5	1.94
SecureFit 1/2" Extender - 200377	0.5	1.44
SecureFit to FLI 3" Threads - 200395	0.25	1.19
FLI Proline Camera	1.19	0

FLI Proline Camera Body and CFW5 filter wheel	11.09 remaining BF	
3.5" Focuser - 200340 (racked in)	3	8.09
Focus position (0 to 1.3")	0.615	7.475
3.5" to SecureFit, 4.5" - 200361-3	4.5	2.975
SecureFit CCD Extender - 200377	0.5	2.475
SecureFit CCD Extender - 200377	0.5	1.975
SecureFit to FLI 3" Threads - 200395	0.25	1.725
FLI CFW5 Filter Wheel	0.848	0.877
FLI Proline Camera	0.877	0

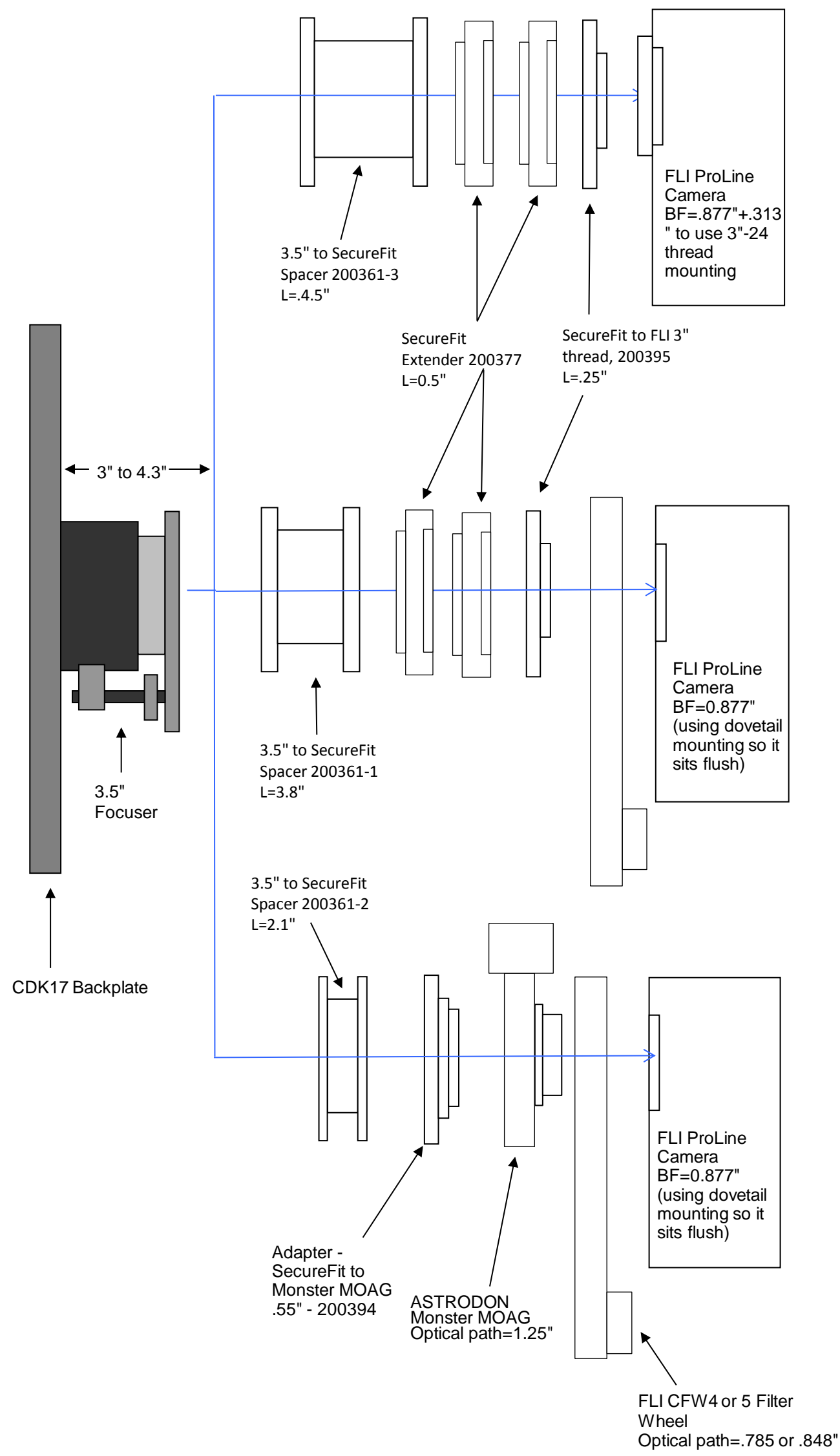
Using the Rotating Focuser 600180		
FLI Proline Camera Body and CFW5 filter wheel	11.09 remaining BF	
Rotating Focuser - 600180 (racked in)	3.5	7.59
Focus position (0 to 1.3")	0.615	6.975
3.5" to SecureFit, 4.5" - 200361-3	4.5	2.475
SecureFit CCD Extender - 200377	0.5	1.975
SecureFit to FLI 3" Threads - 200395	0.25	1.725
FLI CFW5 Filter Wheel	0.848	0.877
FLI Proline Camera	0.877	0

FLI Proline Camera, CFW5 filter wheel & MonsterMOAG	11.09 remaining BF	
3.5" Focuser - 200340 (racked in)	3	8.09
Focus position (0 to 1.3")	0.715	7.375
3.5" to SecureFit, 2.1" - 200361-2	2.1	5.275
SecureFit CCD Extender - 200377	0.5	4.775
SecureFit CCD Extender - 200377	0.5	4.275
Adapter SecureFit to Monster MOAG - 200394	0.55	3.725
Monster MOAG - MMOAG	1.25	2.475
AstroDon Adapter to 3"-24 threads x .75" (MMOAG-3-L)	0.75	1.725
FLI CFW5 Filter Wheel	0.848	0.877
FLI Proline Camera	0.877	0

Using the Rotating Focuser 600180		
FLI Proline Camera, CFW5 filter wheel & MonsterMOAG	11.09 remaining BF	
Rotating Focuser - 600180 (racked in)	3.5	7.59
Focus position (0 to 1.3")	0.33	7.26
3.5" to SecureFit, 2.1" - 200361-2	2.1	5.16
SecureFit CCD Extender - 200377	0.5	4.66
Adapter SecureFit to Monster MOAG - 200394	0.55	4.11
Monster MOAG - MMOAG	1.25	2.86
AstroDon Adapter to 3"-24 threads x .75" (MMOAG-3-L)	1.135	1.725
FLI CFW3 or 5 Filter Wheel	0.848	0.877
FLI Proline Camera	0.877	0



CDK17 - OPTICAL TRAIN: FINGERLAKES CAMERA'S AND FILTER WHEELS



FLI ProLine Camera Body	10.24 remaining BF	
3.5" Focuser - 200340 (racked in)	3	7.24
Focus position (0 to 1.3")	0.3	6.94
3.5" to SecureFit, 4.5" - 200361-3	4.5	2.44
SecureFit 1/2" Extender - 200377	0.5	1.94
SecureFit 1/2" Extender - 200377	0.5	1.44
SecureFit to FLI 3" Threads - 200395	0.25	1.19
FLI ProLine Camera	1.19	0

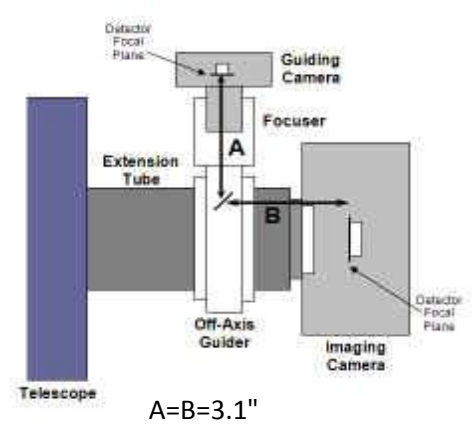
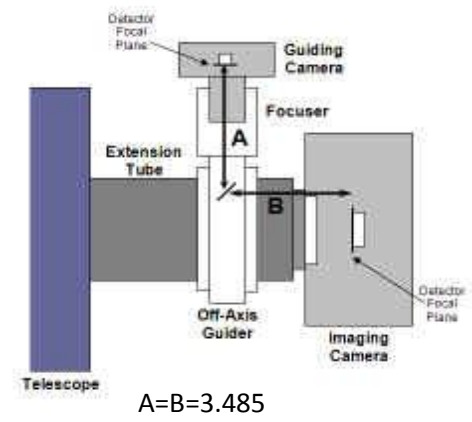
Using the Rotating Focuser 600180		
FLI ProLine Camera Body	10.24 remaining BF	
3.5" Focuser - 600180 (racked in)	3.5	6.74
Focus position (0 to 1.3")	0.3	6.44
3.5" to SecureFit, 4.5" - 200361-3	4.5	1.94
SecureFit 1/2" Extender - 200377	0.5	1.44
SecureFit to FLI 3" Threads - 200395	0.25	1.19
FLI ProLine Camera	1.19	0

FLI ProLine Camera Body and CFW5 filter wheel	10.24 remaining BF	
3.5" Focuser - 200340 (racked in)	3	7.24
Focus position (0 to 1.3")	0.465	6.775
3.5" to SecureFit, 3.8" - 200361-1	3.8	2.975
SecureFit CCD Extender - 200377	0.5	2.475
SecureFit CCD Extender - 200377	0.5	1.975
SecureFit to FLI 3" Threads - 200395	0.25	1.725
FLI CFW5 Filter Wheel	0.848	0.877
FLI ProLine Camera	0.877	0

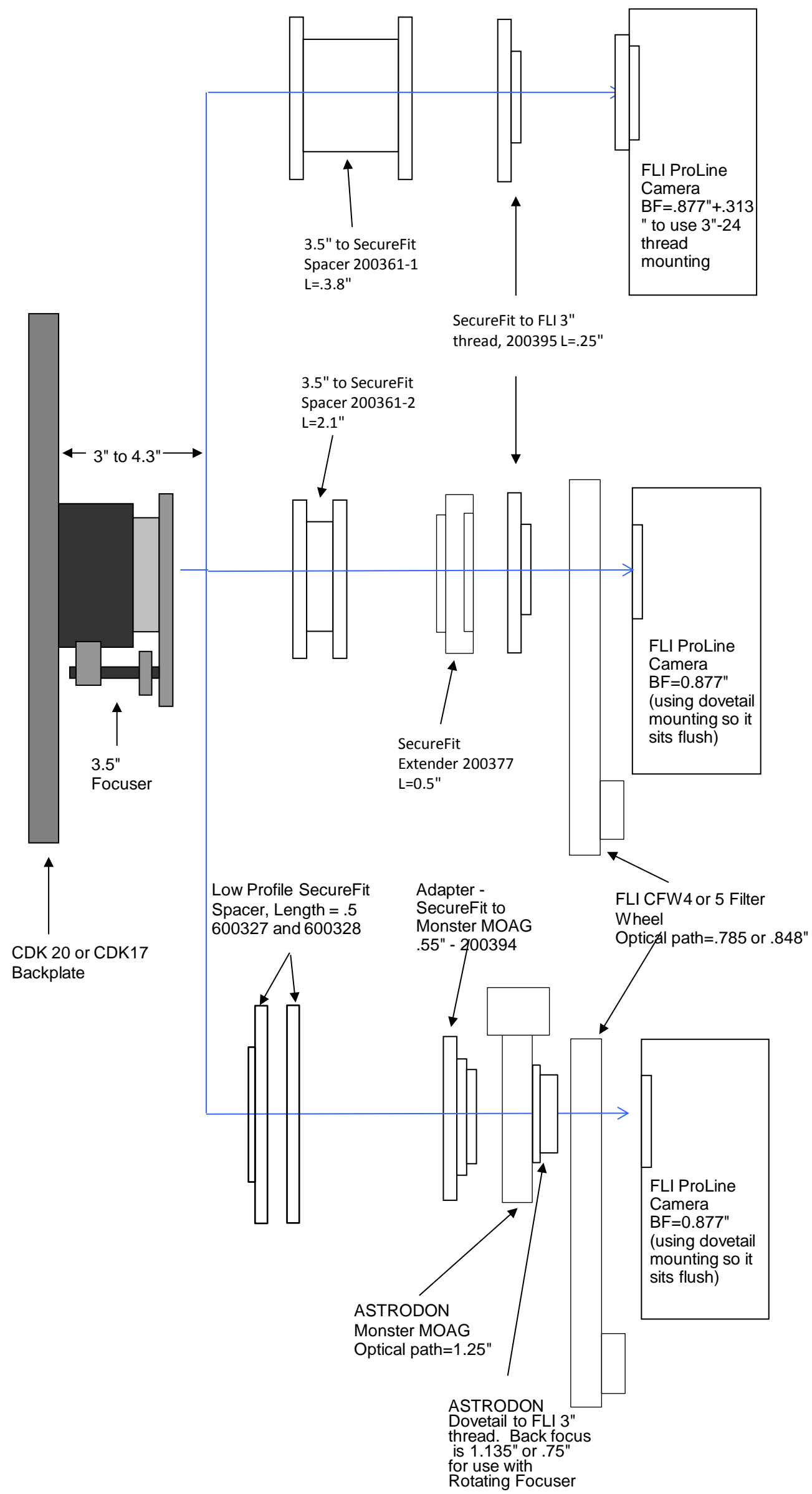
Using the Rotating Focuser 600180		
FLI ProLine Camera Body and CFW5 filter wheel	10.24 remaining BF	
Rotating Focuser - 600180 (racked in)	3.5	6.74
Focus position (0 to 1.3")	0.465	6.275
3.5" to SecureFit, 3.8" - 200361-1	3.8	2.475
SecureFit CCD Extender - 200377	0.5	1.975
SecureFit to FLI 3" Threads - 200395	0.25	1.725
FLI CFW5 Filter Wheel	0.848	0.877
FLI ProLine Camera	0.877	0

FLI ProLine Camera, CFW5 filter wheel & MonsterMOAG	10.24 remaining BF	
3.5" Focuser - 200340 (racked in)	3	7.24
Focus position (0 to 1.3")	0.48	6.76
3.5" to SecureFit, 2.1" - 200361-2	2.1	4.66
Adapter SecureFit to Monster MOAG - 200394	0.55	4.11
Monster MOAG - MMOAG	1.25	2.86
AstroDon Adapter to FLI thread - 3"-24 (MMOAG -3-LL)	1.135	1.725
FLI CFW5 Filter Wheel	0.848	0.877
FLI ProLine Camera	0.877	0

Using the Rotating Focuser 600180		
FLI ProLine Camera, CFW5 filter wheel & MonsterMOAG	10.24 remaining BF	
Rotating Focuser - 600180 (racked in)	3.5	6.74
Focus position (0 to 1.3")	0.365	6.375
3.5" to SecureFit, 2.1" - 200361-2	2.1	4.275
Adapter SecureFit to Monster MOAG - 200394	0.55	3.725
Monster MOAG - MMOAG	1.25	2.475
AstroDon Adapter to 3"-24 threads x .75" (MMOAG-3-L)	0.75	1.725
FLI CFW3 or 5 Filter Wheel	0.848	0.877
FLI ProLine Camera	0.877	0



CDK20 and 24 - OPTICAL TRAIN: FINGERLAKES CAMERA'S AND FILTER WHEELS



FLI ProLine Camera Body	8.81 remaining BF	
3.5" Focuser (racked in)	3	5.81
Focus position (0 to 1.3")	0.57	5.24
3.5" to SecureFit, 3.8" - 200361-1	3.8	1.44
SecureFit to FLI 3" Threads - 200395	0.25	1.19
FLI ProLine Camera	1.19	0

Using the Rotating Focuser 600180

FLI ProLine Camera Body	8.81 remaining BF	
3.5" Focuser (racked in)	3.5	5.31
Focus position (0 to 1.3")	0.77	4.54
3.5" to SecureFit, 2.1" - 200361-2	2.1	2.44
SecureFit 1/2" Extender - 200377	0.5	1.94
SecureFit 1/2" Extender - 200377	0.5	1.44
SecureFit to FLI 3" Threads - 200395	0.25	1.19
FLI ProLine Camera	1.19	0

FLI ProLine Camera Body and CFW5 filter wheel	8.81 remaining BF	
3.5" Focuser (racked in)	3	5.81
Focus position (0 to 1.3")	0.835	4.975
3.5" to SecureFit, 2.1" - 200361-2	2.5	2.475
SecureFit CCD Extender - 200377	0.5	1.975
SecureFit to FLI 3" Threads - 200395	0.25	1.725
FLI CFW5 Filter Wheel	0.848	0.877
FLI ProLine Camera	0.877	0

Using the Rotating Focuser 600180

FLI ProLine Camera Body and CFW5 filter wheel	8.81 remaining BF	
Rotating Focuser (racked in)	3.5	5.31
Focus position (0 to 1.3")	0.335	4.975
3.5" to SecureFit, 2.1" - 200361-2	2.5	2.475
SecureFit CCD Extender - 200377	0.5	1.975
SecureFit to FLI 3" Threads - 200395	0.25	1.725
FLI CFW5 Filter Wheel	0.848	0.877
FLI ProLine Camera	0.877	0

FLI ProLine Camera, CFW5 filter wheel & MonsterMOAG	8.81 remaining BF	
3.5" Focuser (racked in)	3	5.81
Focus position (0 to 1.3")	0.65	5.16
Low Profile SecureFit Spacer - 600327 and 600328	0.5	4.66
Adapter SecureFit to Monster MOAG - 200394	0.55	4.11
Monster MOAG - MMOAG	1.25	2.86
AstroDon Adapter to FLI thread	1.135	1.725
FLI CFW5 Filter Wheel	0.848	0.877
FLI ProLine Camera	0.877	0

FLI ProLine Camera, CFW4 filter wheel & MonsterMOAG	8.81 remaining BF	
3.5" Focuser (racked in)	3	5.81
Focus position (0 to 1.3")	0.713	5.097
Low Profile SecureFit Spacer - 600327 and 600328	0.5	4.597
Adapter SecureFit to Monster MOAG - 200394	0.55	4.047
Monster MOAG - MMOAG	1.25	2.797
AstroDon Adapter to FLI thread (MMOAG-3-LL)	1.135	1.662
FLI CFW4 Filter Wheel	0.785	0.877
FLI ProLine Camera	0.877	0

Using the Rotating Focuser 600180

FLI ProLine Camera, CFW5 filter wheel & MonsterMOAG	8.81 remaining BF	
Rotating Focuser (racked in)	3.5	5.31
Focus position (0 to 1.3")	0.535	4.775
Low Profile SecureFit Spacer - 600327 and 600328	0.5	4.275
Adapter SecureFit to Monster MOAG - 200394	0.55	3.725
Monster MOAG - MMOAG	1.25	2.475
AstroDon Adapter to 3"-24 threads x .75" (MMOAG-3-L)	0.75	1.725
FLI CFW3 or 5 Filter Wheel	0.848	0.877
FLI ProLine Camera	0.877	0

